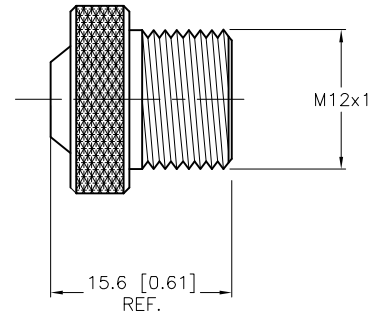
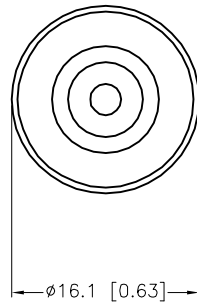



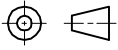
SPECIFICATIONS

CAP MATERIAL/PLATING

BRASS/NICKEL



SOURCE DRAWING - FOR REFERENCE ONLY

RELATED DOCUMENTS				3RD ANGLE PROJECTION	THIS DRAWING IS CONFIDENTIAL AND THE PROPERTY OF TURCK INC. USE OF THIS DOCUMENT WITHOUT WRITTEN PERMISSION IS PROHIBITED.	 3000 CAMPUS DRIVE MINNEAPOLIS, MN 55441 1-800-544-7769 (763) 553-7300 (763) 553-0708 fax www.turck.us			
1.	2.	3.	4.						
MATERIAL				ALL DIMENSIONS DISPLAYED ON THIS DRAWING ARE FOR REFERENCE ONLY	DRFT	JB	DATE	02/10/03	DESCRIPTION
SEE SPECIFICATIONS					APVD		SCALE	1 = .0	
FINISH				CONTACT TURCK FOR MORE INFORMATION	UNIT OF MEASUREMENT			IDENTIFICATION NO.	REV
SEE SPECIFICATIONS					MILLIMETER [INCH]				
C	UPDATED DRAWING	AS	04/28/23	500000008172	DO NOT SCALE THIS DRAWING			FILE: U0905-71	SHEET 1 OF 1
REV	DESCRIPTION	BY	DATE	ECO NO.					